



Perma Tech, Inc.

"Your Single Source for ALL Your Loading Dock Needs"

PERMA RAIN DAM

INSTALLATION INSTRUCTIONS

NOTE:

***CHECK SHIPPING CONTAINERS BEFORE RELEASING CARRIER.
NOTIFY CARRIER IMMEDIATELY UPON DISCOVERING ANY CONCEALED DAMAGE.***

WARNING : Do not install this product unless you have read and understand the warnings and installation instructions contained in the manual.
Failure to do so could result in serious injury or death.



Perma Tech, Inc.

Sales@PermaTechInc.com
363 Hamburg Street, Buffalo, NY 14204
WWW.PermaTechInc.Com

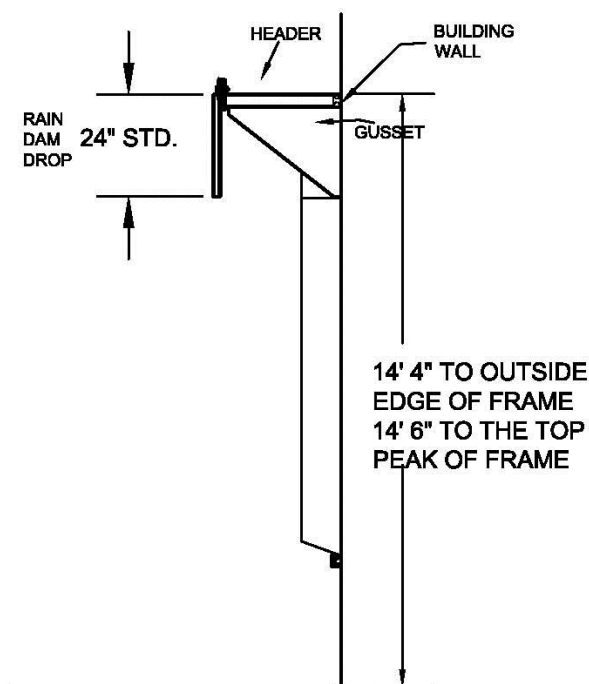
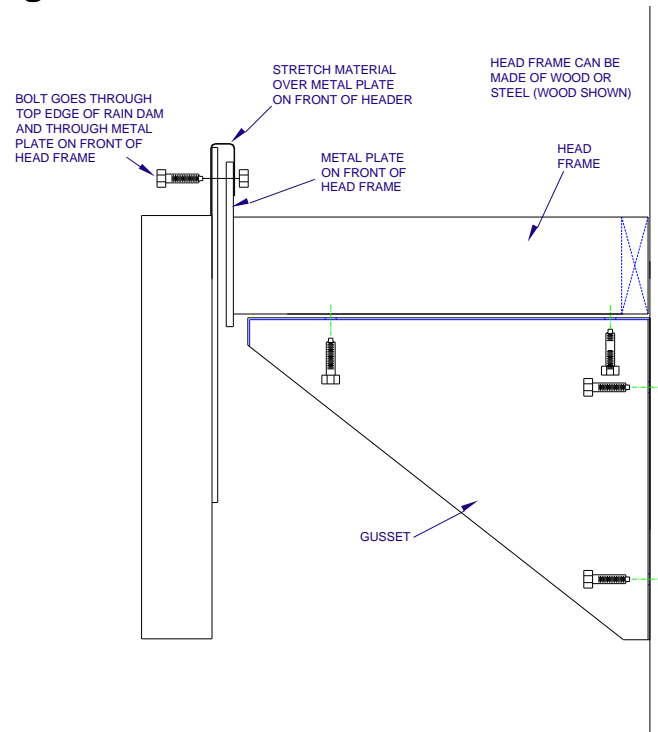
Toll Free: 800-362-7325
Local: 716-854-0707
Fax: 716-854-0774

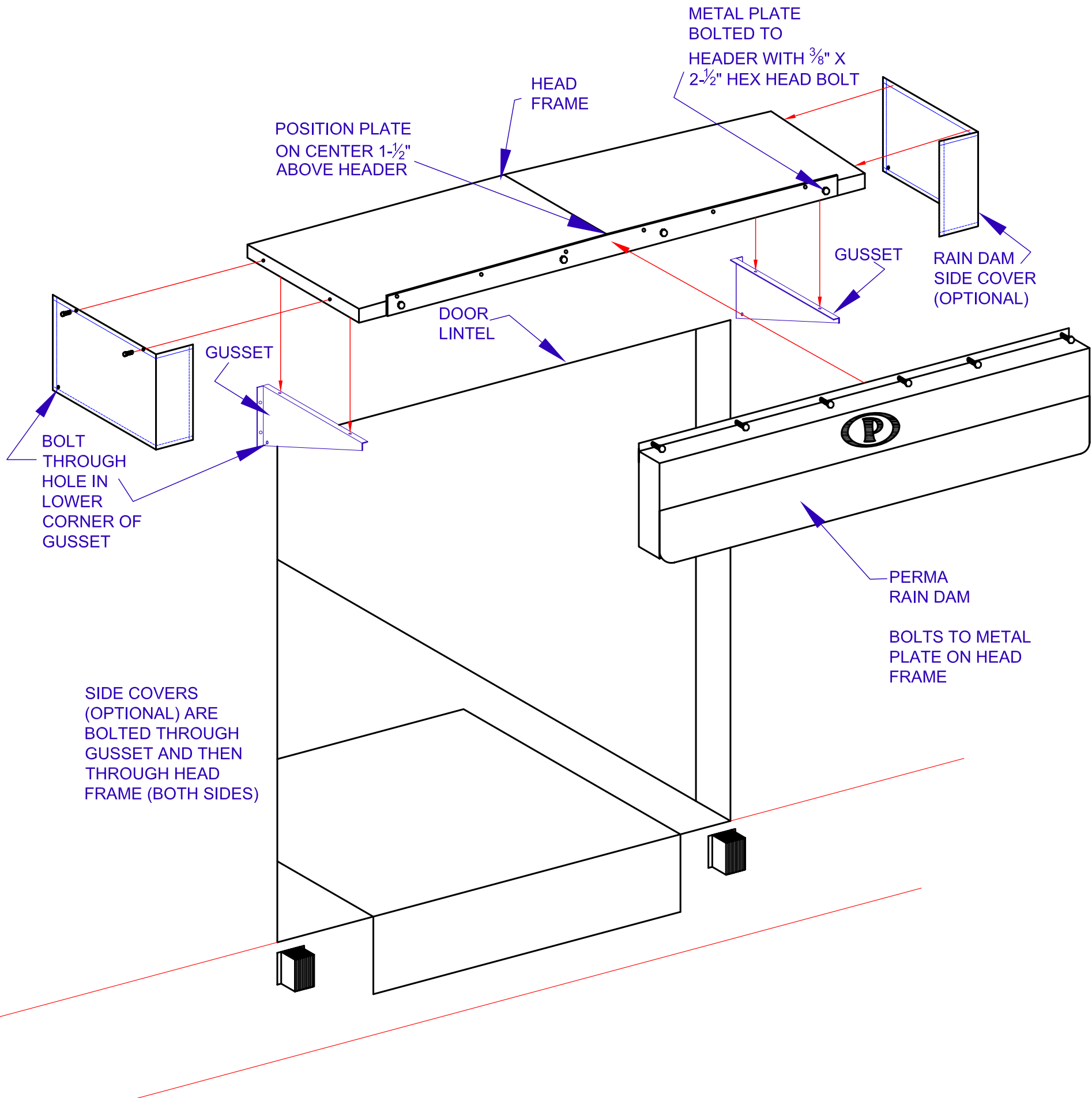
INSTALLATION INSTRUCTIONS

PERMA RAIN DAM

NOTE: Check shipping containers before releasing carrier. Notify carrier immediately upon discovering any concealed damage.

- 1. Find the centerline of the door opening and mark at top. Use head frame to find width and mark the wall, right and left for the correct position of gussets. Header frame should sit on top of gussets.**
- 2. Bolt gussets to wall. Place header frame on top of gussets. Using bolts attach header frame to gussets and wall.**
- 3. Bolt the Perma Rain Dam Pad to plate on front of header frame.**
- 4. Place side covers over end of header frame. Bolt side cover to header frame.**
- 5. Caulk around the outside of entire unit.**





LIMITED PRODUCT WARRANTY

Perma Tech, Inc. warrants the material and workmanship in any product manufactured by Perma Tech, Inc. for a period of one year from the date of shipment to customer if properly installed, maintained and used. This limited warranty shall not apply in the event of misuse or modification by customer or to materials not manufactured and installed by Perma Tech, Inc.

In the event of any defects covered by this warranty, Perma Tech, Inc. will remedy such defects by repairing or replacing at its expense any defective products or, at its option, refunding the original purchase price excluding installation, freight and tax. This shall be customer's exclusive remedy for all claims whether based on warranty, contract, negligence, strict liability or other legal theory.

Written notice of any claim must be made within the warranty period by first class mail or personal delivery to a suitable person at Perma Tech's office at 363 Hamburg Street, Buffalo, New York 14204. Notice of delivery by e-mail or fax is not acceptable.

PERMA TECH, INC. EXPRESSLY DISCLAIMS AND CUSTOMER WAIVES ALL IMPLIED WARRANTIES INCLUDING WITHOUT LIMITATION, ANY IMPLIED WARRANTIES OF MERCHANTABILITY OR FITNESS FOR A PARTICULAR PURPOSE. PERMA TECH, INC. SHALL NOT IN ANY EVENT BE LIABLE FOR AND CUSTOMER WAIVES ANY INCIDENTAL, CONSEQUENTIAL OR PUNITIVE DAMAGES OF ANY KIND TO CUSTOMER OR ANY THIRD PARTY, INCLUDING WITHOUT LIMITATION DAMAGES FOR LOST PROFITS, EVEN IF ADVISED OF SAME.